



Fifth Sunday of Easter
Senior Sunday
May 3, 2026

GATHERING

CONCERNS OF THE CHURCH

*CALL TO WORSHIP

Let us worship God!

(Those who are able may stand.)

Incline our ear to you, O God,
for we are your people.

Be with us on this holy day.
Bless us with the ability to receive your spirit.

Amen.

PRELUDE

This Little Light of Mine

Calvin Taylor

*PRAYER OF THE DAY

The Lord be with you. **And also with you.**

Loving God,
We come to you with comfort knowing that your great
love is everlasting. Receive our spirit.
You teach us your ways, and though we cover our ears,
do not hold this sin against us.

**Help us to forgive our peers in the same way that you
forgive us.**

You look upon us in the same way that a parent watches over
their sleeping child. You are our rock of refuge, a strong fortress
to protect us.

**Be the anchor for our souls, and lead us to your
everlasting love.**

Amen

*(The Cross and Bible lead the procession, symbolic of the centrality
in worship of Jesus Christ - the Living Word,
and the Bible - the written Word.)*

About the Prelude

The Prelude is a musical offering to help move the hearts and minds of the gathering community from the daily struggles of life to the worship of God.

Worship on the Lord's Day

Worship begins as the people gather - greeting one another, praying in silence, or offering music to the glory of God. The act of assembling in Jesus' name bears witness to the Church's identity and mission as Christ's body in the world.

I Greet Thee, Who My Sure Redeemer Art

CALL TO CONFESSION

While Christ lived a perfect life, sacrificing himself to give us eternal life,
We have covered our ears and judged those on the outside,
Trusting his work in us and his mercy for the world,
Let us now confess our sins before God and one another.

PRAYER OF CONFESSION

**Most merciful God,
We confess that we have sinned against you,
In thought, word, and deed
By what we have done, and by what we have left undone
We have not loved our neighbors as ourselves
We are truly sorry and seek refuge in your forgiveness
and everlasting love.
For the sake of your son Jesus Christ,
Forgive us, build us into a spiritual house,
And help us to be people who share your word and love.
To the glory of your name. Amen.**

(Silent confession)

Kyrie

James MacMillan

(Organ introduction) **4** **1st-Choir/2nd-Congregation**

Lord, have mer- cy, Lord, ___ have

1st-Choir/2nd-Congregation

mer- cy. Christ, have mer- cy, Christ, ___ have

All sing

mer- cy. Lord, have mer- cy, Lord, ___ have mer- cy.

Call to and Prayer of Confession

A call to confession expresses God’s initiative in calling for repentance and promising forgiveness in Christ. As members of Christ’s body, we confess the reality of sin, captivity, and brokenness in personal and common life and ask for God’s saving grace.

About the Kyrie

The Kyrie (Greek “kyrios” [Lord]) is a corporate musical prayer for grace.

I Greet Thee, Who My Sure Redeemer Art 624

1 I greet thee, who my sure Re - deem - er art,
 2 Thou art the King of mer - cy and of grace,
 3 Thou art the life, by which a - lone we live,
 4 Thou hast the true and per - fect gen - tle - ness;
 5 Our hope is in no oth - er save in thee;

my on - ly trust and Sav - ior of my heart,
 reign - ing om - ni - po - tent in ev - ery place:
 and all our sub - stance and our strength re - ceive;
 no harsh - ness hast thou and no bit - ter - ness.
 our faith is built up - on thy prom - ise free;

who pain didst un - der - go for my poor sake;
 so come, O King, and our whole be - ing sway;
 sus - tain us by thy faith and by thy power,
 O grant to us the grace we find in thee,
 Lord, give us peace, and make us calm and sure,

I pray thee from our hearts all cares to take.
 shine on us with the light of thy pure day.
 and give us strength in ev - ery try - ing hour.
 that we may dwell in per - fect u - ni - ty.
 that in thy strength we ev - er - more en - dure.

The original French text, sometimes attributed to John Calvin, seems to be a Protestant reworking of a Roman Catholic hymn, not a typical practice for him. Yet this text and tune (adapted from GENEVAN 124) clearly date from the early years of the Reformed tradition.

Assurance of Pardon

A declaration of forgiveness proclaims the good news of God's mercy and offers the assurance of pardon in Jesus' name. The liturgist pours water into the font, which reminds us of the grace and cleansing of our Baptism, and the baptismal call to new life in Christ.

Act of Praise

The Act of Praise brings together the choir and congregation to sing God's praise in response to the Assurance of Pardon as the last phrase.

Prayer for Illumination

A Prayer for Illumination calls on the Holy Spirit to empower the reading, understanding, proclaiming, and living of God's word. This sense of utter reliance on the illumination of the Spirit is an important and distinctive mark of the Reformed tradition.

ASSURANCE OF PARDON

Friends, Jesus Christ is a rock of refuge for you and for me. He is already preparing a place for us.

Christ calls us out of the darkness into marvelous light. So that where Christ is, we may also be.

In Jesus Christ we are forgiven.

*The Peace

Because Christ our Lord is the way, the truth, and the life, let us show our steadfast love to one another. Let us love one another the way Christ loved us.

May the peace of Christ be with you all!

And also with you.

*(Please exchange the peace with the words,
"The peace of Christ be with you.")*

*ACT OF PRAISE (Hymn 513)

FESTIVAL CANTICLE

This Is the Feast of Victory

(The congregation is invited to sing with the choir.)

Refrain: This is the feast of victory for our God.
Alleluia, alleluia, alleluia!

Sing with all the people of God,
and join in the hymn of all creation. **Refrain.**

*(Everyone is asked to sign the Friendship pad,
which is located on the center aisle end of each pew.)*

THE WORD

PRAYER FOR ILLUMINATION

SCRIPTURE (8:30 AM)

Hear the Word of God! **Our ears are open.**

Psalm 31

(Old Testament, page 505 in your pew Bible)

The Word of the Lord. **Thanks be to God!**

Acts 17:22-31

(New Testament, page 137 in your pew Bible)

Psalm 91

On Eagle's Wings

Michael Joncas

Refrain

And God will raise you up on ea-gle's wings, bear you on the
breath of dawn, make you to shine like the sun, and
hold you in the palm of God's hand.

You who dwell in the shelter of the Lord,
who abide in God's shadow for life,
say to the Lord: "My refuge, my rock in whom I trust!" *Refrain*

The snare of the fowler will never capture you,
and famine will bring you no fear:
Under God's wings your refuge,
God's faithfulness your shield. *Refrain*

You need not fear the terror of the night,
nor the arrow that flies by day:
though thousands fall about you,
near you it shall not come. *Refrain*

For to the angels God's given a command
to guard you in all of your ways;
upon their hands they will bear you up,
lest you dash your foot against a stone. *Refrain*

Hear the Word of God! **Our ears are open.**

John 14:15-21

(New Testament, page 109 in your pew Bible)

The Word of the Lord. **Thanks be to God!**

SERMONS (8:30 AM)

Lula Lowrance
Van Pritchartt
Evelyn McKnight

SCRIPTURE (11:00 AM)

Hear the Word of God! **Our ears are open.**

Psalm 31

(Old Testament, page 505 in your pew Bible)

The Word of the Lord. **Thanks be to God!**

1 Peter 2:2-10

(New Testament, page 233 in your pew Bible)

Psalm 91

On Eagle's Wings
(Please refer back to page 5)

Michael Joncas

Hear the Word of God! **Our ears are open.**

John 14:15-21

(New Testament, page 109 in your pew Bible)

The Word of the Lord. **Thanks be to God!**

SERMONS (11:00 AM)

Audrey Bailey
Henry Billings
Battle Springer

***AFFIRMATION OF FAITH**

(See page 17 of your hymnal for the Apostles' Creed.)

THANKSGIVING

OFFERING

Anthem

John Bell

Take This Moment

Take this moment, sign and space;
Take my friends around;
Here among us make the place
Where your love is found.

Take the time to call my name,
Take the time to mend
Who I am and what I've been,
All I've failed to tend.

Take the tiredness of my days,
Take my past regret,
Letting your forgiveness touch
All I can't forget

Take the little child in me
Scared of growing old;
Help me here to find my worth
Made in God's own mould.

Take my talents, take my skills,
Take what's yet to be;
Let my life be yours, and yet
Let it still be me.

*DOXOLOGY

LASST UNS ERFREUEN

**Praise God, from whom all blessings flow;
Praise God, all creatures here below: Alleluia! Alleluia!
Praise God, the source of all our gifts!
Praise Jesus Christ, whose power uplifts!
Praise the Spirit, Holy Spirit! Alleluia! Alleluia! Alleluia!**

Offering

The collection of tithes and offerings takes place as a response to the Word. These actions are signs of our gratitude for the grace of God proclaimed in the gospel.

To give, please scan the QR code below:



Doxology

A short hymn of praise to the triune God (God, Jesus Christ, Holy Spirit).

*GREAT PRAYER OF THANKSGIVING

The Lord be with you. **And also with you.**
Lift up your hearts. **We lift them to the Lord.**

Blessed are you, O Lord our God...
...you have promised never to forsake us.

Therefore, joining the song with the saints of every age,
we praise your name and join their unending hymn:

ALL:

Ho - ly, ho - ly, ho - ly Lord. God of
pow - er and might. Heav - en and earth are full of your glo - ry. Ho - san -
na, ho - san - na, ho - san - na in the high - est! Bles - sed is
he who comes, he who comes in the name of the Lord. Ho -
san - na, ho - san - na, ho - san - na in the high - est!

(The congregation may be seated.)

Blessed is Jesus Christ, our Savior...
...we bear witness to this good news of great joy.

Remembering your goodness and grace,
we offer ourselves to you with gratitude
as we share this joyful feast,
and proclaim the mystery of faith:

Christ has died, Christ is ris - en, Christ will come a - gain.

Gracious God, pour out your Holy Spirit upon us...
...into the glory of your new creation.

Through the Lord Jesus Christ,
in the unity of the Holy Spirit, we bless you, God of glory,
now and forever.

ALL:

[organ] A - men, A - men, A - men.

***THE LORD'S PRAYER**

**Our Father, who art in heaven,
hallowed be thy name,
thy kingdom come,
thy will be done,
on earth as it is in heaven.
Give us this day our daily bread;
and forgive us our debts,
as we forgive our debtors;
and lead us not into temptation,
but deliver us from evil.
For thine is the kingdom, and the power,
and the glory, forever. Amen.**

BREAKING OF THE BREAD

COMMUNION OF THE PEOPLE

Music during Communion

Let Us Break Bread Together

Gilbert M. Martin

Anthem

Ubi Caritas

Victor Johnson

Ubi caritas et amor, Deus ibi est.

Where charity and love are,
God is there.

Congregavit nos in unum Christi amor.

The love of Christ has
gathered us together.

Exsultemus et in ipso jucundemur.
Et ex corde diligamus nos sincero.

Let us rejoice and be glad in it.
And from a sincere heart let us
love one another.

Ubi caritas et amor, Deus ibi est.

Where charity and love are,
God is there.

PRAYER AFTER COMMUNION

SENDING

***HYMN 69**

I, the Lord of Sea and Sky

HERE I AM (Schutte)

***BENEDICTION**

POSTLUDE

Great Day

Adolphus Hailstork

The bread served in
today's communion
is gluten-free.

About the Postlude

The Postlude is
considered the final
Alleluia of worship.

**(Those who are able may stand.)*

69 I, the Lord of Sea and Sky

Here I Am, Lord

G Am D G C G D
Leader or All

1 I, the Lord of sea and sky, I have heard my peo - ple cry.
 2 I, the Lord of snow and rain, I have borne my peo - ple's pain.
 3 I, the Lord of wind and flame, I will tend the poor and lame.

G Em C Am7 D G

All who dwell in dark and sin my hand will save. I, who
 I have wept for love of them. They turn a - way. I will
 I will set a feast for them. My hand will save. Fin - est

Am D G C G D

made the stars of night, I will make their dark - ness bright.
 break their hearts of stone, give them hearts for love a - lone.
 bread I will pro - vide till their hearts be sat - is - fied.

G Em C Am7 C/G D D7

Who will bear my light to them? Whom shall I send?
 I will speak my word to them. Whom shall I send?
 I will give my life to them. Whom shall I send?

Refrain
All G C G D G C G D G

Here I am, Lord. Is it I, Lord? I have heard you

Am7 G Am7 D G C G C

call - ing in the night. I will go, Lord, if you

G C G D G Am7 D7 G Am7 G

lead me. I will hold your peo - ple in my heart.

The stanzas here need to be understood as representing the voice of God, while the refrain (based on Isaiah 6:8) is the faithful human response to God's call. This becomes clearer if a leader or small group sings the stanzas, with the congregation joining on the refrain.

Today @ Westminster

Worship Leaders

Preaching and Liturgists

The Graduating Class of 2026

Assisting

Rev. Adam DeVries

Parish Associate for Youth

Rev. Dr. Dononvan Drake

Senior Pastor

Communion Preparation

Alice and Mike Russell

Music

Laudate Choir

John Semingson

Director of Music Ministries

Stephen Z. Cook

Organist

Flower Dedication

The flowers in the Sanctuary are given to the glory of God and in loving memory of Joan McCarthy by Kelly and Bill Christie.

The flowers in the Parlor are given to the glory of God and in loving memory of Carlisle R. "Cardy" Davis, Jr. by his family.

Hearing Assistance

We offer two options to assist with hearing during services.

1.) Download the Sennheiser MobileConnect app. 2.) Personal FM receivers with an earpiece. Receivers and instructions for both options are located in the Narthex and on the Welsh Dresser in the Parlor. Please see an Usher if you need assistance.

Large Print Hymns

Looking for large-print hymns? They can be found in the Narthex at the Sanctuary entrance or in the Parlor on the Welsh dresser.

Recorded Worship Services

To watch a service at a later time, go to www.nashvillewpc.church and scroll down to the Worship Service Archive. Click on the service you would like to view.

Dial-a-Sermon

Dial 629.206.1073 after 10:15 AM each Sunday morning to listen to the sermon. The sermon will be available all week.

Childcare

Childcare is available on Sundays from 8:15 AM to 12:00 PM.

Nursery - Room 146

Toddlers - Room 152

2s and 3s - Room 151

Copyright Information

The music used in the service this morning is copyrighted under Christian Copyright Licensing International, Inc., No. 1121525.

Our Mission

Ordinary people testifying to the extraordinary light found in our Lord Jesus Christ.

"For it is the God who said, 'Let light shine out of darkness,' who has shone in our hearts to give the light of the knowledge of the glory of God in the face of Jesus Christ. But we have this treasure in clay jars, so that it may be made clear that this extraordinary power belongs to God and does not come from us."

(2 Corinthians 4:6-7)



TODAY @ WESTMINSTER

Welcome

Westminster Presbyterian Church welcomes you to share our common journey to become more faithful disciples of Christ. Any who are interested in joining us in this journey are invited to contact Rev. Stephanie Boaz, sboaz@nashvillewpc.org, or by calling 615.292.5526.

Update Your Membership Contact Info

Contact Hannah Boles, Membership Secretary, hboles@nashvillewpc.org, to update your contact info or your photo. Hannah can also help you to access the online church member directory.

Are you up-to-date on all the WPC news?

We send emails out to the congregation and community three plus times a week. On Monday, we send an email about our mission work. On Wednesdays, we send info about all the events we have going on throughout the month. On Fridays, the Sunday info is included in the email. We also have emails from our Children's, Youth and Young Families ministries.

Please scan the QR code to sign up for the emails you would like to receive.



Communion kits are available for seniors living in a residency or independently.

Please contact Sylvia Leins, srleins@yahoo.com to receive one or add someone you know to the list for the next Communion Sunday.



CELEBRATING THE CLASS OF 2026



*Drake Welker
Armstrong*

Drake will graduate from Montgomery Bell Academy. While at MBA, Drake played varsity football and varsity baseball. Next fall, he will attend the University of Mississippi where he plans on studying commercial real estate and finance. During his years at WPC, Drake loved playing on the church basketball team and serving and interacting with the guests at Room In The Inn.

This summer, Drake is looking forward to going to Ireland and then to Honduras to help with Serve Hope Intl. to build a house and work with their soccer camp.

Drake's favorite verse is Isaiah 41:10: Do not fear, for I am with you; do not be afraid for I am your God. I will strengthen you and help you; I will uphold you with my righteous hand.



*Audrey Ryan
Bailey*

Audrey will be a 2026 graduate of Ensworth High School. Audrey's most memorable experience from her time at Westminster is the mission trip to Panther, West Virginia in 2025. This not only is an experience she would never forget but also helped her to grow in her faith as she had to overcome some unplanned challenges. She has been a member at Westminster for nine years.

Audrey will be attending University of Tennessee Haslam College of Business in the fall.

Audrey's favorite Bible Verse is Psalms 23: The Lord is my shepherd; I shall not want. He makes me lie down in green pastures; he leads me beside still waters...



*Henry Myers
Billings*

Henry will graduate from Montgomery Bell Academy in May and then attend Washington and Lee University in Lexington, VA, where he plans to study in the Williams School of Commerce. He enjoys outdoor activities like fishing and camping.

His favorite memory at Westminster is spending time with his friends, Frank Wade, T.J., and Julius at Star Bagel on Tuesday mornings. Singing *Silent Night* on Christmas Eve while lifting a candle helped to strengthen his faith because of the overall beauty of the moment.

Henry's favorite Bible verse is Luke 23:34: Jesus said, "Father, forgive them, for they do not know what they are doing."



CELEBRATING THE CLASS OF 2026



*Ethan Daniel
Deerkoski*

Ethan has attended Westminster Presbyterian Church his entire life and has been a member since his confirmation at the end of his eighth grade year. In the fall, he will be going to TCU where he will study business.

He has enjoyed various church events such as Tuesdays at Waffle House with Frank Wade, going through confirmation in eighth grade, and participating in Room In The Inn once a year. He is passionate about music and some of the hymns in church have inspired/motivated his view on his own songs.

His favorite Bible verse is Isaiah 40:31: But those who wait on the Lord shall renew their strength; they shall mount up with wings like eagles.



*Claiborne
McIlwaine Elam*

Lola is graduating from Ensworth and is currently still deciding which college she will attend in the fall. She has enjoyed getting to spend time with friends at Westminster- especially playing in the church ball league. One of her favorite memories was the church trip to Panther, West Virginia where she helped build homes alongside fellow church members. Lola is passionate about music, friends and helping others.



*Hattie Grey
Garner*

Hattie Grey is graduating from Ensworth High School and will attend Ole Miss in the fall. At Ensworth, Hattie Grey was a cheerleader, in the dance company and did her senior service project at Move Inclusive. She has also been on the NDC Competitive Dance Team for five years.

At Westminster, Hattie Grey has enjoyed participating in Room In The Inn, helping with holiday parties for Preston Taylor Ministries and cheering on the Basketball Jamboree.



CELEBRATING THE CLASS OF 2026



*Leland Keltner
Hardcastle*

After graduating from Montgomery Bell Academy, Leland plans to jump on a plane to Ireland for the annual golf trip that has become an MBA graduate tradition. When he returns to the States, he has planned an extensive trip out West to camp, hike, fish, and catch at least one concert at the famous Red Rocks.

In the fall, he will attend the University of Utah, where he plans to study business—along with mountain climbing and shredding the gnar.



*John Henry
Isaacs*

Johnny is graduating from Franklin Road Academy and is excited to begin the next chapter of his life at Wofford College this fall.

Johnny's favorite pastime is golf, a game he has loved since he received his first set of clubs at age three. Much of his free time has been spent on the course—practicing, competing, and laughing with friends. Johnny especially enjoyed playing for the FRA golf team. Johnny is grateful for relationships within the Westminster community both with the friends his age and the adults who have supported him since they were his preschool Sunday School teachers. Some of his favorite WPC memories come from playing high school “churchball” with the same boys he ran around with on the church playground.



*William Luke
Johns*

Luke is graduating from Montgomery Bell Academy and will attend the United States Air Force Academy Prep School.

Some of his favorite WPC memories come from the people who invested in his faith along the way: Don Schulze, his confirmation mentor, and Frank Wade, who led a small group at Star Bagel and even drove the boys to school before they were old enough to drive themselves. He is leaving Westminster grateful for everything and everyone that helped shape him.

His favorite Bible verse comes from Joshua 1:9: Be strong and courageous. Do not be afraid; do not be discouraged, for the Lord your God will be with you wherever you go.



CELEBRATING THE CLASS OF 2026



*Tallulah Frances
Lowrance*

Lula is graduating from Harpeth Hall and will be attending the University of Miami. She is planning to study psychology and is running track and cross country.

Lula is passionate about her friends, trying new things, and running. Her favorite Westminster memory is either NaCoMe when she was younger or the West Virginia mission trip where she got to help build a part of someone's house, and get to know some people that lived in Panther, West Virginia. A moment that transformed Lula's faith was during the West Virginia trip when she would meet with her small group each morning and night.



*Corinne Copeland
McGehee*

Coco will graduate from Ensworth High School and will be attending Texas Christian University (TCU) in the fall. She enjoys playing soccer for Ensworth.

At EHS, Coco has loved being a part of Leukemia & Lymphoma Society and the math club.

Coco's major at TCU will be business. She is looking forward to summer and starting college in the fall!

Her favorite Bible verse is 1 Corinthians 13:4: Love is patient; love is kind; love is not envious or boastful or arrogant...



*Evelyn Amelie
McKnight*

Evelyn is a Senior at Harpeth Hall. After graduation, Evelyn will attend the University of Georgia.

Her favorite Westminster memories are leading the Christmas Eve service in fifth grade and playing on the Hungry Sharks Churchball team.

Her favorite Bible verse is 1 Corinthians 13:4-7: Love is patient; love is kind; love is not envious or boastful or arrogant or rude. It does not insist on its own way; it is not irritable; it keeps no record of wrongs; it does not rejoice in wrongdoing but rejoices in the truth. It bears all things, believes all things, hopes all things, endures all things.



CELEBRATING THE CLASS OF 2026



*Audrey Caitlin
Priddy*

Audrey is currently a senior at Battle Ground Academy. She will be attending Clemson University to major in architecture.

Audrey is passionate about visual art and music, and hopes to continue her craft throughout college.

Her favorite service at Westminster is Christmas Eve, and her favorite Bible verse is Joshua 1:9: I hereby command you: Be strong and courageous; do not be frightened or dismayed, for the Lord your God is with you wherever you go.



*Alexander Van-
Court Pritchartt IV*

Van Pritchartt will graduate from MBA and continue his education at The University of Georgia Morehead Honors College.

While at MBA, he played golf and lacrosse, and was active in the Big Red Broadcast Club and on the Mock Trial team.

His favorite part of WPC has been being part of his Small Group, and playing churchball.



Abbie Rogers

Abbie is graduating from Battle Ground Academy and will be attending University of Tennessee, Knoxville.

Her favorite Westminster memory is small group conversations. She is passionate about helping others, and plans to become a nurse practitioner.



CELEBRATING THE CLASS OF 2026



*Lillian Tolar
Sites*

Lilly is graduating from Ensworth High School and plans to attend Wofford College to play lacrosse in the fall. She plans on majoring in business economics.

Lilly's favorite memory from Westminster is her NaCoMe trip she went on while completing her confirmation class.

Her favorite Bible verse comes from Matthew 6:34: Therefore do not worry about tomorrow, for tomorrow will worry about itself. Each day has enough trouble of its own.



*Bond Weaver
Sieveking*

Bond is graduating from Montgomery Bell Academy and plans to attend the University of Virginia in the fall to pursue a major in business. Bond has developed a strong interest in business and particularly in finance.

Bond's favorite Westminster memory was on the eighth grade confirmation trip to NaCoMe when Daddy Mac (Mac Hardcastle) was the group mentor. The group had so much fun with him!

Bond's favorite Bible verse is Proverbs 3:5-6: Trust in the Lord with all your heart and lean not on your own understanding; in all your ways submit to Him, and He will make your paths straight.



CELEBRATING THE CLASS OF 2026



*Battle Davis
Springer*

Battle is graduating from Montgomery Bell Academy. He is attending Colorado School of Mines in the fall, majoring in Mining Engineering.

Battle has served on the Westminster Youth Council and greatly enjoyed his time at Montreat.



*Caden James
Sturdivant*

Cade is graduating from Montgomery Bell Academy and plans to attend West Point Academy, where he plans to play lacrosse.

His favorite Westminster memories include catching crawdads in the creek at NaCoMe, and his faith has been transformed and grown through Confirmation with Frank Wade. He is passionate about March Madness, as well as, the successes of his family and friends, and hopes to give full effort in everything he does.

Cade's favorite Bible verse is 2 Timothy 4:7: I have fought the good fight, I have finished the race, I have kept the faith.

CONGRATULATIONS
to all our seniors.

We also celebrate

*Charles Lee
Atwood*

*Thomas Hobson
Atwood*

*Nikhel Utpal
Davé*

*Mattie
Dunlap*

*Russell Vance
Howard*

*Russell Fletcher
Thomas, Jr.*

*Landon Reid
Travis*



TODAY @ WESTMINSTER

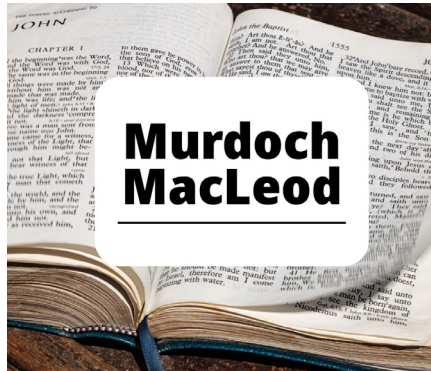
Adult Education Classes start at 9:45 AM



Covenant Class • Goodpasture Hall

Senses of Scripture: Medieval Biblical Interpretation Ministry series.

What, if anything, does Medieval Biblical Interpretation have to offer us in the 21st century? Come join Covenant class this April to find out! We'll look at how the "senses of Scripture"—a multifaceted approach to interpreting the Bible—offers a richer encounter with Scripture than sheer literalism or empty historicism. Along with an overview and exploration of Medieval Biblical Interpretation, we'll have a chance to test out these methods in class as well as think through the larger purposes and aims of exegesis.



Murdoch MacLeod • Library

We will discuss this week's gospel lesson.

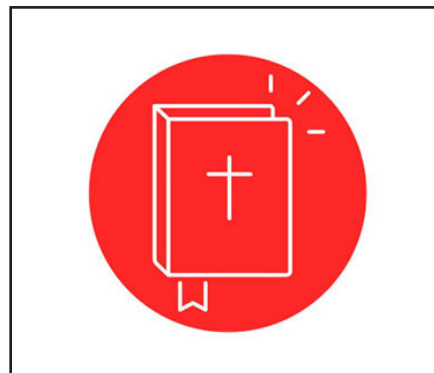
For more info, please contact Paul DeWitt, pdewitt@comcast.net.



Journeys • Overlook Room

Getting to know WPC.

Led by Bill and Kelly Christie and Jane McDow.



Women's Bible Study 7:00-8:30 PM

We are studying Rachel Held Evans' book *Inspired*. (Reading not required.)

Email Dana Hildebrand, dana.m.hildebrand@gmail.com, to get connected! We'd love to have you.



KOINONIA YOUTH MINISTRY



YOUTH TEAM

Adam DeVries
Parish Associate for Youth
adevries@nashvillewpc.org

Hannah Norris
hnorris@nashvillewpc.org
Youth & Missions Program Coordinator

Jessie King
Youth & Pastoral Care Fellow
jking@nashvillewpc.org

Julius Hooper
MLC Youth Ministry Resident
WPKKoinonia staff@gmail.com

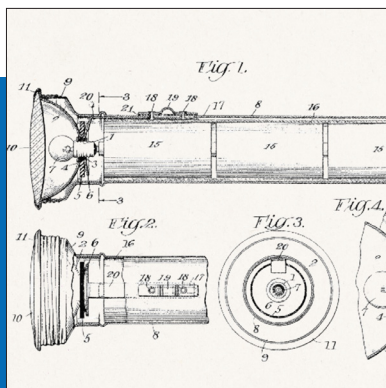
Nathan Scott
Youth Ministry Intern
WPKKoinonia staff@gmail.com



9:45 AM •
Sunday School •
Koinonia Youth Café

Senior breakfast in Fellowship Hall.
All High School students welcome.

Middle School will have Sunday School.



6:00 PM •
Youth Group •
Koinonia Youth Café

We welcome the fifth graders to Youth Group with a game of GROG!



Small Groups Throughout the Week

We have groups for girls and guys ninth - twelfth grades.

Please contact Hannah Norris, hnorris@nashvillewpc.org, for more info.



CHILDREN'S MINISTRY

8:30 & 11:00 AM • Worship Services

Children and Worship

Childcare is available for children who are infants through kindergarten during both services. While childcare is available, children are always welcome in worship. There are quiet toys and worship bags for children. They may be found in baskets in the Parlor and in the back of the Sanctuary. The bags have plain paper, crayons, a pencil and a children's bulletin.

9:45 AM • Sunday School

2s are in room 149

3s are in room 161

4s are in room 163

Godly Play/Kindergarten in 183

4th & 5th Grade in room 292

1st - 3rd Chapel first and then will be picked up in rooms.

QUESTIONS FOR CHILDREN AND THEIR FAMILIES:



LIVING OUT THE WORD

Today is Senior Sunday. All of these young people are graduating from high school and moving on to new things. When you are a senior what part in the service do you think you might like to lead?

As you get older what is something you are looking forward to being able to do?

What is something that makes you smile now?

Senior Sunday

WORD SEARCH

See if you can find these words in the puzzle on the left.

- cars
- classes
- football games
- friends
- highschool
- senior
- cheerleaders
- driving
- homework
- teachers





MUSIC MINISTRY

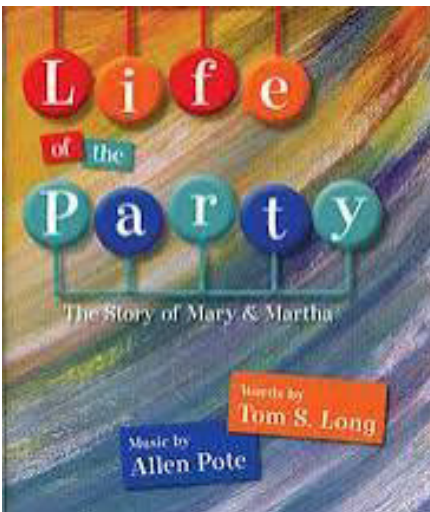


Sunday Rehearsals

Children, Youth & Intergenerational Choirs

4:00 PM Rehearsals
Tinnabulation Handbell Choir

5:00 PM Rehearsals
Laudate Choir



Music Camp 2026 - Rehearsals Start Sunday

This year, the children will present *Life of the Party*. This musical for young voices from the writing team of Allen Pote and Tom Long is a humorous telling of the stories of Mary & Martha. Family conflict, making time for Jesus in the midst of hectic lives, and trusting God when things get tough are the themes that are addressed. Not too late to sign up. All children, rising grades 1st-7th, are welcome, even if they are not currently involved in Children's Choir.





JOY IN LEARNING/CAFÉ



Join us for fun, food and fellowship in the Westminster Café or in a Joy in Learning Class. Please scan the QR code, where appropriate, for more info and to register.

OnGoing Events

Wednesdays

• **Watercolor Painting** | 10:00 AM - Noon | Westminster Café
Learn from each other. Come and go activity.



Thursdays

• **Fill My Cup** | Westminster Café
8:15 AM Meet and Greet | 8:30 AM Coffee/tea and percolating conversation
Come when you can. No sign ups necessary. Join other women in the Café to fill your spiritual cup. We will revisit the previous Sunday's scriptures.

Tuesdays

May 5, 12, 19, 26

Hand-Building Open Studio for Experienced Potters

5:00 - 8:00 p.m.

\$50.00 for 4 days (includes all supplies)



Fridays

May 15, 22, 29 & June 5, 12, 19

Ikebana Containers

9:15 - 11:45 AM

10:00 AM - 2:00 PM

\$60.00 for all days, including supplies Led by Cass Fagan and Janice Mann



GET ON THE LIST! Quilting Class

We are so excited to offer a quilting and weaving class in the near future. Right now we are asking folks to let us know what interests them and the days/times



BRAND NEW CLASS!

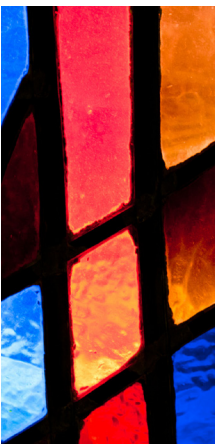
We are looking for folks interested in our new **Stained Glass class!**

Wednesdays, August 12, 19, 26, September 2, 9, and 16

4:30 - 7:00 PM

6 weeks for \$50.00 (includes all supplies)

Instructor: Roger Maness





MISSION OPPORTUNITIES



Home Together
NASHVILLE

Help Our Neighbors

Home Together Nashville Drive

Home Together Nashville, a non-profit that formed out of Westminster, is housing our first two families! We are trying to help them get settled into their new apartments with a small drive. Scan the QR code below to connect to an Amazon list of items needed for their new apartment, which can be dropped off or shipped to the church office. Thanks for your help and support!



If you're interested in learning more about Home Together Nashville and ways you can get involved, feel free to email Will Wellman at wwellman@nashvillewpc.org.

- Kroger Gift Card
- Brooms
- Mops
- Toilet paper
- Wash rags
- Pot holders
- Sponges
- Oven Mitts
- Hypo allergenic soaps
- Aveeno sensitive lotion
- Shower Curtain/liner
- Curtain rod
- Curtains
- Light Fixtures
- Light bulbs
- Command strips/curtain holders
- Broom holder
- Dishwashing gloves
- Dishwasher pods
- Detergent
- Hangers
- Ironing board
- Hamper (1)
- Disinfectant wipes
- Gloves
- Toiletries
- Window cleaner
- Febreze spray
- Comet
- Boxed baking soda
- Dryer sheets
- Water
- Eating utensils
- Area rug
- Kettle
- Toaster
- Slow cooker
- Kerig coffee machine
- Toilet paper
- Paper towels
- High dining table & bar stools



MINISTRY TEAM



Donovan Drake
Pastor
ddrake@nashvillewpc.org



Will Wellman
Director of Theology and
Community Initiatives
wwellman@nashvillewpc.org



Sophie Maness
Exec Director of Children's
& Community Life Ministries
smaness@nashvillewpc.org



Stephanie Boaz
Associate Pastor for
Congregational Care
sboaz@nashvillewpc.org



Ashley Higgins
Associate Pastor
for Young Families
ahiggins@nashvillewpc.org



John Semingson
Director of Music Ministries
johns@nashvillewpc.org



Guy D. Griffith
Associate Pastor for
Pastoral Care and Teaching
ggriffith@nashvillewpc.org



Adam DeVries
Parish Associate for Youth
adevries@nashvillewpc.org



Stephen Z. Cook
Organist



Sarah Bird Kneff
Associate Pastor for
Adult Faith Formation
skneff@nashvillewpc.org



Hannah Norris
Youth & Missions Program
Coordinator
hnorris@nashvillewpc.org



3900 West End Avenue
Nashville, Tennessee 37205-1899
615.292.5526
www.nashvillewpc.church

Class of 2026

z j y o j x v x z y r n e h z b g b n e v t e
q o s g w d f n a o a e f w d y n n h o j c g
b j g a u d r e y c n k a e g h m d j k u c t
w a k z s k c m y k l u n u o y s k a j g z d
l p g b l l e s s u r y w j d a n k c a d e g
i e x o a k a v h a m m a p h r m l a w g e b
l k t l d t d n h a b h b y n w e j r w e o v
l l j h h b t b z j t a l u l o q y k y n c f
y w m g a d l l d f k t u x g j e y p j q o f
y c n f j n t o e o c j i j g v a j x l a c b
k d d n a l e l l h x h t e u j a l e w o w l
n g r t e c s l y a s f w n g q h n i k e n y
s b j a p t c d m a t t i e e r y q b a n t o
s n j d k l y n c r d o b m y q e t b d b h m
m e l w p e x o l u k e b f p d l y a l w e q
c w p a x f a b y m v t e v e l y n d b y p z

Find the following words in the puzzle.

Words are hidden  and  and  and  and 

abbie
audrey
battle
bond
cade
coco
drake
ethan

evelyn
hattie grey
henry
johnny
leland
lilly
lola
luke

lula
mattie
russell
van